

SUNMASTER®

SQUARE ROOT

SQRT630CXB

SQRT630CXB0 = No Plug
 SQRT630CXB1 = 120V Plug
 SQRT630CXB2 = 240V Plug

FEATURES

- High efficiency
- Full, tailored spectrum
- Long life
- 3 year warranty
- Ability to daisy-chain up to 5 fixtures

BENEFITS

Spectrally tailored for full-cycle growth
 Healthy, leafy biomass
 Tight internode spacing
 Propagation through flower

Robust design
 No fan
 IP 65 rated; Wet rated
 50,000+ hour life

Sunmaster quality commitment
 Global manufacturing support
 ISO manufacturing

GENERAL

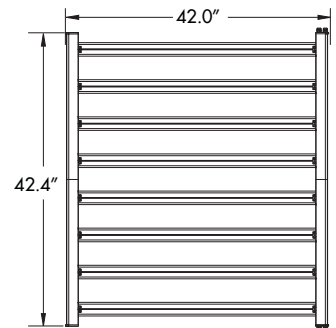
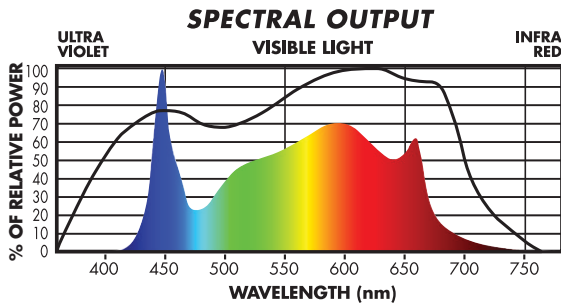
Fixture Type	LED
Correlated Color Temperature (CCT)	4.0 K
Spectrum	Full
PPF (μmols/s 400-700)	1,600
Efficacy (μmol/J)	2.6
Color Rendering (CRI)	85
Life (L90 in hrs)	50,000 hours
Mounting height	≥6" above plant canopy

ELECTRICAL

Input Power (Watts)	630			
Input Voltage	100-277 autosensing			
Dimming	0-10V			
Main Voltage	120V	208V	240V	277V
Input Current (A)	5.50	3.20	2.75	2.40
Power factor	0.99	0.99	0.99	0.98
Maximum fixtures per 20A circuit	2	4	5	5

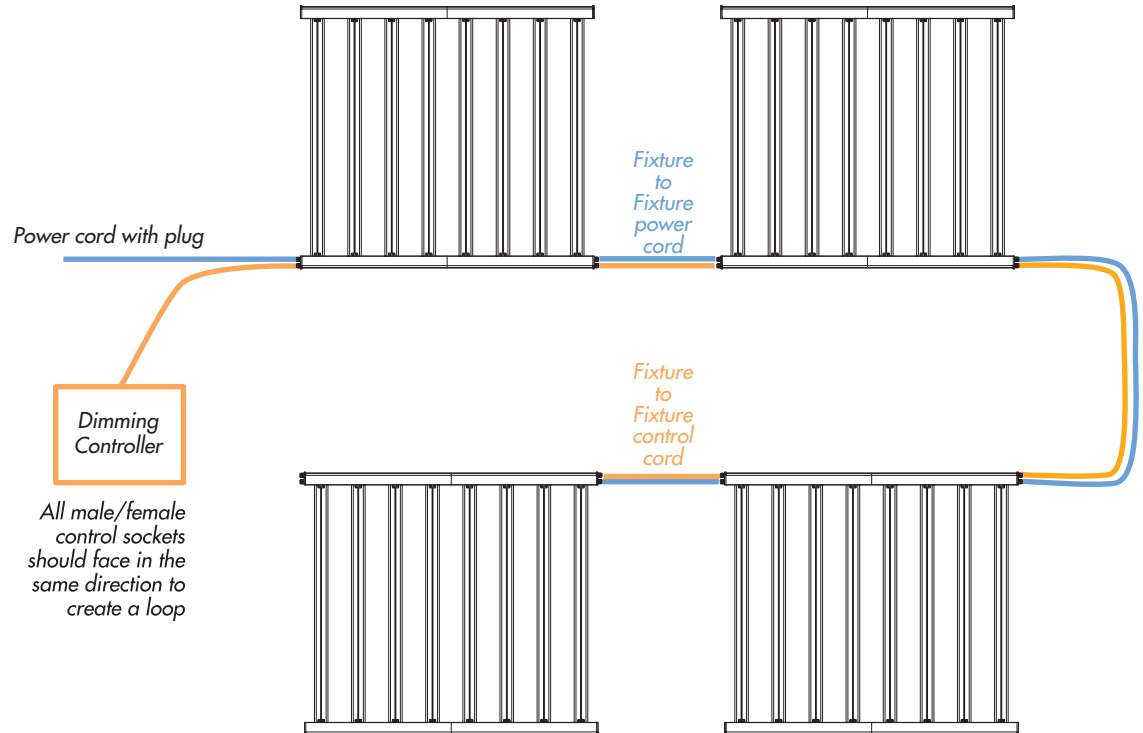
OTHER

Dimensions	42" L x 42.4" W x 2.4" H
Weight (lbs.)	30
Operating temperature (°C)	-20 to +45
Power cord (feet)	5 (sold separately)
Certifications	IP 65, UL, CE
Warranty	3 years



855-562-1008
SunmasterGrowLamps.com

WIRING/INSTALLATION



ACCESSORIES

SM-PC-6-1 SM-PCF-6-1



5' Power Cord

SM-PC-6-1 120V NEMA 5-15P plug



SM-PC-6-2 240V NEMA 6-15P plug



SM-PC-6-3 277V NEMA L7-15P plug



SM-PCF-6-1 Fixture to Fixture cord



Dimmer Controller

SM-DC-01-1



Dimming Control Cable

SM-CCF10V-6-1



Gateway

SM-GW-01-1