

SUNMASTER®

RAILZ

LED Commercial Grow Luminaire

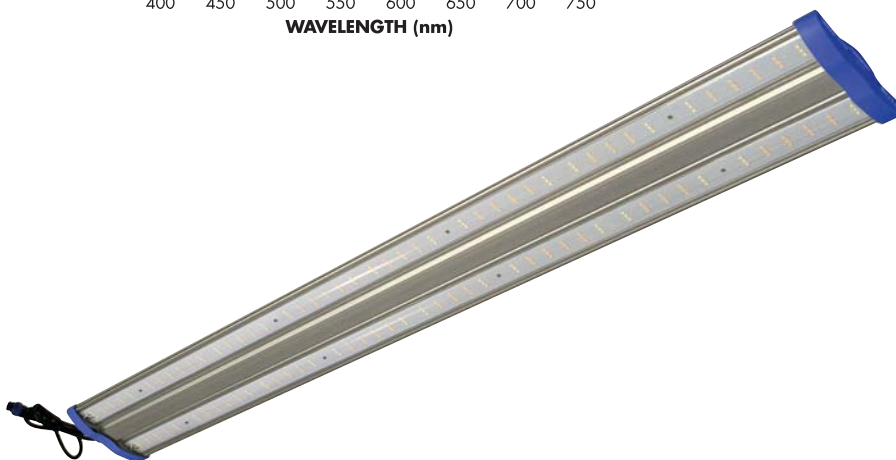
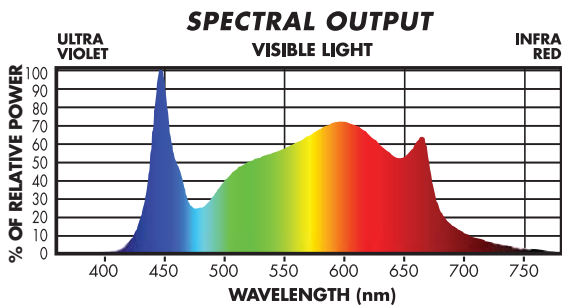
RAILZ40CX0B RAILZ60CX0B

FEATURES

- High efficiency
- IP65 Rated
- Full, tailored spectrum
- Long life: 50,000 hours (LM80)
- 5 year warranty

BENEFITS

- Spectrally tailored for full-cycle growth
 - High output (2.3 $\mu\text{mol}/\text{J}$)
 - High color rendering (91 CRI)
 - Blue weighting to promote vegetative growth
- Robust design
 - Fanless, efficient cooling
 - IP65 rated (water-resistant)
 - 50,000+ hour life
- Sunmaster quality commitment
 - Global manufacturing support
 - ISO certified



GENERAL

Fixture Type	LED
Spectrum	Full, blue weighted
PPF ($\mu\text{mol}/\text{s}$ 400-700)	98 (40W), 148 (60W)
Efficacy ($\mu\text{mol}/\text{J}$)	2.5
Color Rendering (CRI)	91
Life (L90 in hrs)	50,000 hours
Mounting height	$\geq 6''$ minimum above plant canopy or higher

ELECTRICAL

Input Power (Watts)	40, 60
Input Voltage	120-277
Dimming	N/A

40W

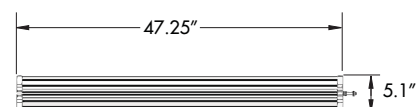
Main Voltage	120V	208V	240V	277V
Input Current (A)	0.37	0.21	0.19	0.16
Power factor	>0.9	>0.9	>0.9	>0.9
Maximum fixtures per 20A circuit	43	74	86	99

60W

Main Voltage	120V	208V	240V	277V
Input Current (A)	0.56	0.32	0.28	0.24
Power factor	>0.9	>0.9	>0.9	>0.9
Maximum fixtures per 20A circuit	28	50	57	66

OTHER

Dimensions	47.25" L x 5.1" W x 1.5" H
Weight (lbs.)	2.71
Operating temperature ($^{\circ}\text{C}$)	-20 to +45
Power cord (feet)	5
Plugs (Sold separately)	SM-RZ-PC-1 5' Power cord, 120V plug SM-RZ-PC-2 5' Power cord, 240V plug SM-RZ-SP4-2 Power splitter, 15" whip
Certifications	IP65, ETL, CE
Warranty	3 years



855-562-1008
SunmasterGrowLamps.com

WIRING/INSTALLATION

