

# SUNMASTER®

## RAILZ

LED Commercial Grow Luminaire

## SM.RAILZ40.CX0.1

### FEATURES

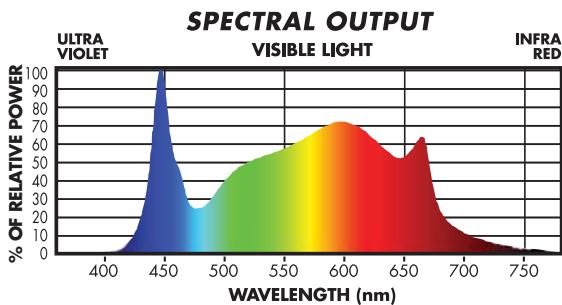
- High efficiency
- IP65 Rated
- Full, tailored spectrum
- Long life: 50,000 hours (LM80)
- 5 year warranty

### BENEFITS

Spectrally tailored for full-cycle growth  
High output (2.3  $\mu\text{mol}/\text{J}$ )  
High color rendering (91 CRI)  
Blue weighting to promote vegetative growth

Robust design  
Fanless, efficient cooling  
IP65 rated (water-resistant)  
50,000+ hour life

Sunmaster quality commitment  
Global manufacturing support  
ISO certified



### GENERAL

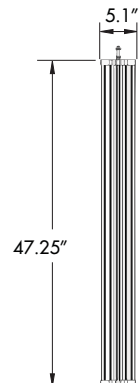
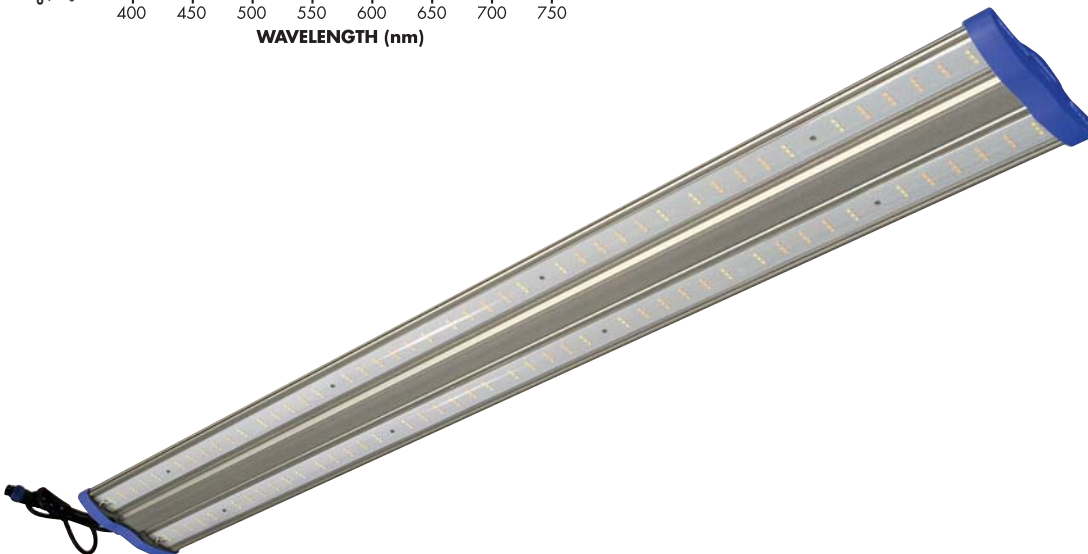
Fixture Type	LED
Spectrum	Full, blue weighted
PPF ( $\mu\text{mol}/\text{s}$ 400-700)	92
Efficacy ( $\mu\text{mol}/\text{J}$ )	2.3
Color Rendering (CRI)	91
Life (L90 in hrs)	50,000 hours
Mounting height	6" minimum above plant canopy or higher

### ELECTRICAL

Input Power (Watts)	40			
Input Voltage	120-277			
Dimming	N/A			
Main Voltage	120V	208V	240V	277V
Input Current (A)	0.37	0.21	0.19	0.16
Power factor	>0.9	>0.9	>0.9	>0.9
Maximum fixtures per 20A circuit	43	74	86	99

### OTHER

Dimensions	47.25" L x 5.1" W x 1.5" H
Weight (lbs.)	2.71
Operating temperature ( $^{\circ}\text{C}$ )	-20 to +45
Power cord (feet)	5
Plug	(120V, 240V, 277V) sold separately
Certifications	IP65, ETL, CE
Warranty	3 years



**855-562-1008**  
**SunmasterGrowLamps.com**